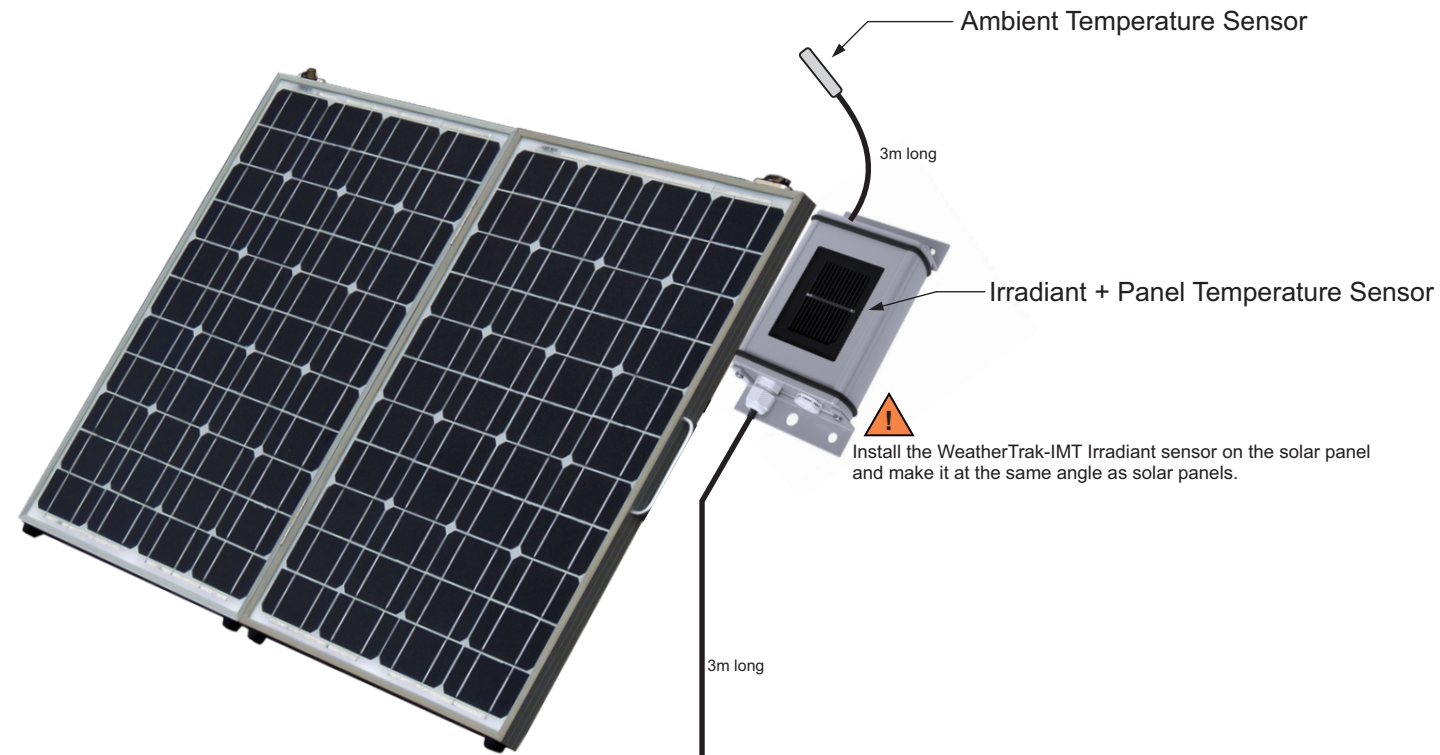
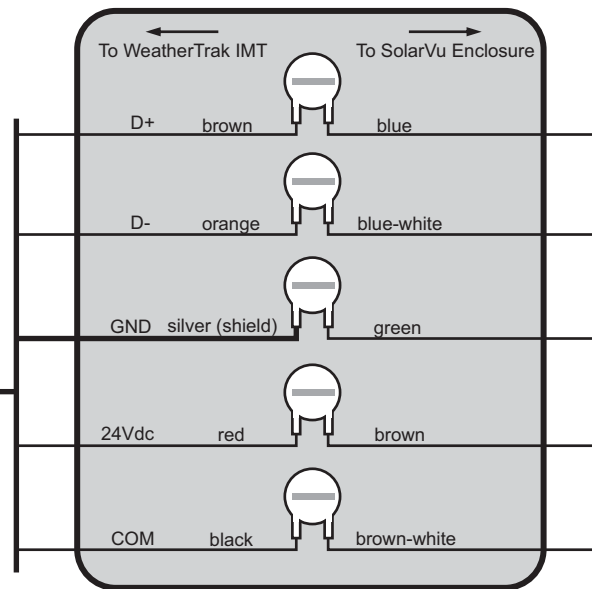


ROOF

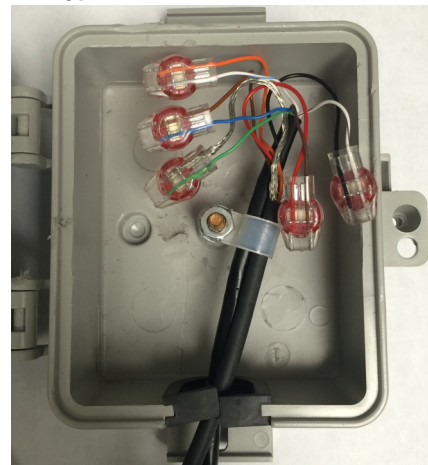


⚠ Install the WeatherTrak-IMT Irradiant sensor on the solar panel and make it at the same angle as solar panels.

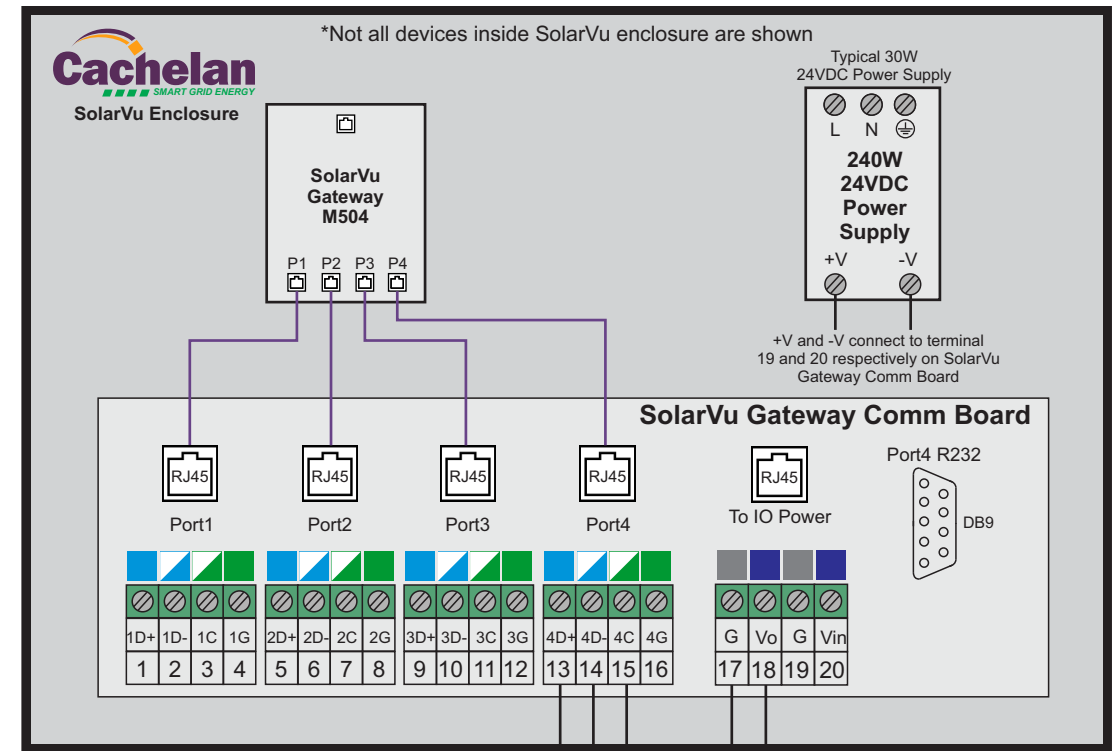
WeatherTrak-IMT Junction Box



Typical Junction Box Installation



ELECTRICAL ROOM



⚠ Use twisted pair for D+ and D- signals. e.g. cat5e or equivalent

⚠ Typical WeatherTrak port is Port 4. Port assignment may vary per site. Refer to the corresponding project SLD for port assignment.

cat5e or equivalent

Production - As Built

© Cachelan Proprietary Information



3575 14th Avenue Unit #7
Markham, ON L3R 0H6, Canada
905.470.8400 cachelan.com

WeatherTrak Wiring Diagram
M504 to WeatherTrak-IMT

REV	REV DATE	ISSUED	ENG/DRAW	PROJECT
A2	May 13, 2015	Apr 14, 2015	NW/TH	SolarVu

FILE CQ721A2 M504 to WeatherTrak-IMT wiring

721